

Silicon NPN Power Transistors

2SC4764

DESCRIPTION

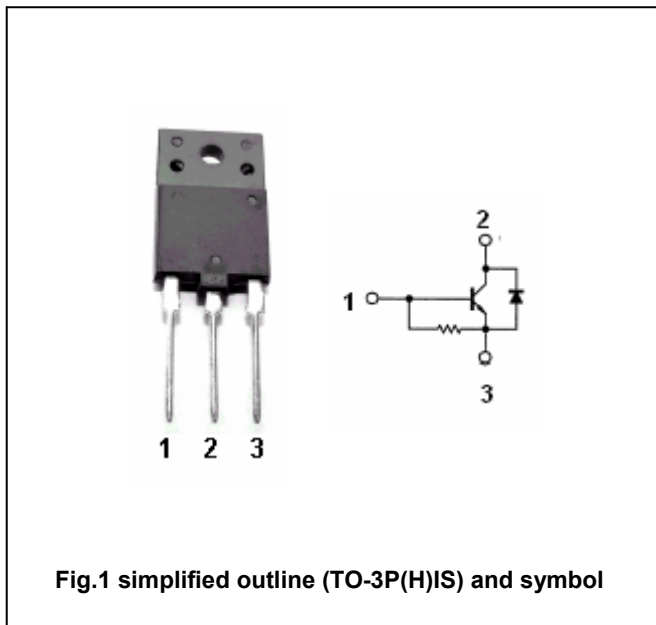
- With TO-3P(H)IS package
- High speed
- High voltage
- Low saturation voltage
- Bult-in damper diode

APPLICATIONS

- Horizontal deflection output for medium resolution display

PINNING

| PIN | DESCRIPTION |
|-----|-------------|
| 1 | Base |
| 2 | Collector |
| 3 | Emitter |



Absolute maximum ratings(Ta=25□)

| SYMBOL | PARAMETER | CONDITIONS | VALUE | UNIT |
|------------------|-----------------------------|---------------------|---------|------|
| V _{CBO} | Collector-base voltage | Open emitter | 1500 | V |
| V _{CEO} | Collector-emitter voltage | Open base | 600 | V |
| V _{EBO} | Emitter-base voltage | Open collector | 5 | V |
| I _C | Collector current | | ±6 | A |
| I _{CM} | Collector current-Peak | | ±12 | A |
| I _B | Base current | | 3 | A |
| P _C | Collector power dissipation | T _C =25□ | 50 | W |
| T _j | Junction temperature | | 150 | □ |
| T _{stg} | Storage temperature | | -55~150 | □ |

Silicon NPN Power Transistors

2SC4764

CHARACTERISTICS

T_j=25°C unless otherwise specified

| SYMBOL | PARAMETER | CONDITIONS | MIN | TYP. | MAX | UNIT |
|----------------------|--------------------------------------|--|-----|------|-----|------|
| V _{(BR)EBO} | Emitter-base breakdown voltage | I _E =300mA ; I _C =0 | 5 | | | V |
| V _{CEsat} | Collector-emitter saturation voltage | I _C =4A ; I _B =0.8A | | | 5 | V |
| V _{BEsat} | Base-emitter saturation voltage | I _C =4A ; I _B =0.8A | | | 1.5 | V |
| I _{CBO} | Collector cut-off current | V _{CB} =1500V ; I _E =0 | | | 1 | mA |
| I _{EBO} | Emitter cut-off current | V _{EB} =5V ; I _C =0 | 83 | | 250 | mA |
| h _{FE-1} | DC current gain | I _C =1A ; V _{CE} =5V | 8 | 12 | | |
| h _{FE-2} | DC current gain | I _C =4A ; V _{CE} =5V | 5 | | 9 | |
| C _{ob} | Collector output capacitance | I _E =0 ; V _{CB} =10V, f=1MHz | | 170 | | pF |
| V _F | Diode forward voltage | I _F =4A | | 1.2 | 1.8 | V |
| f _T | Transition frequency | I _C =0.1A ; V _{CE} =10V | 1 | 3 | | MHz |

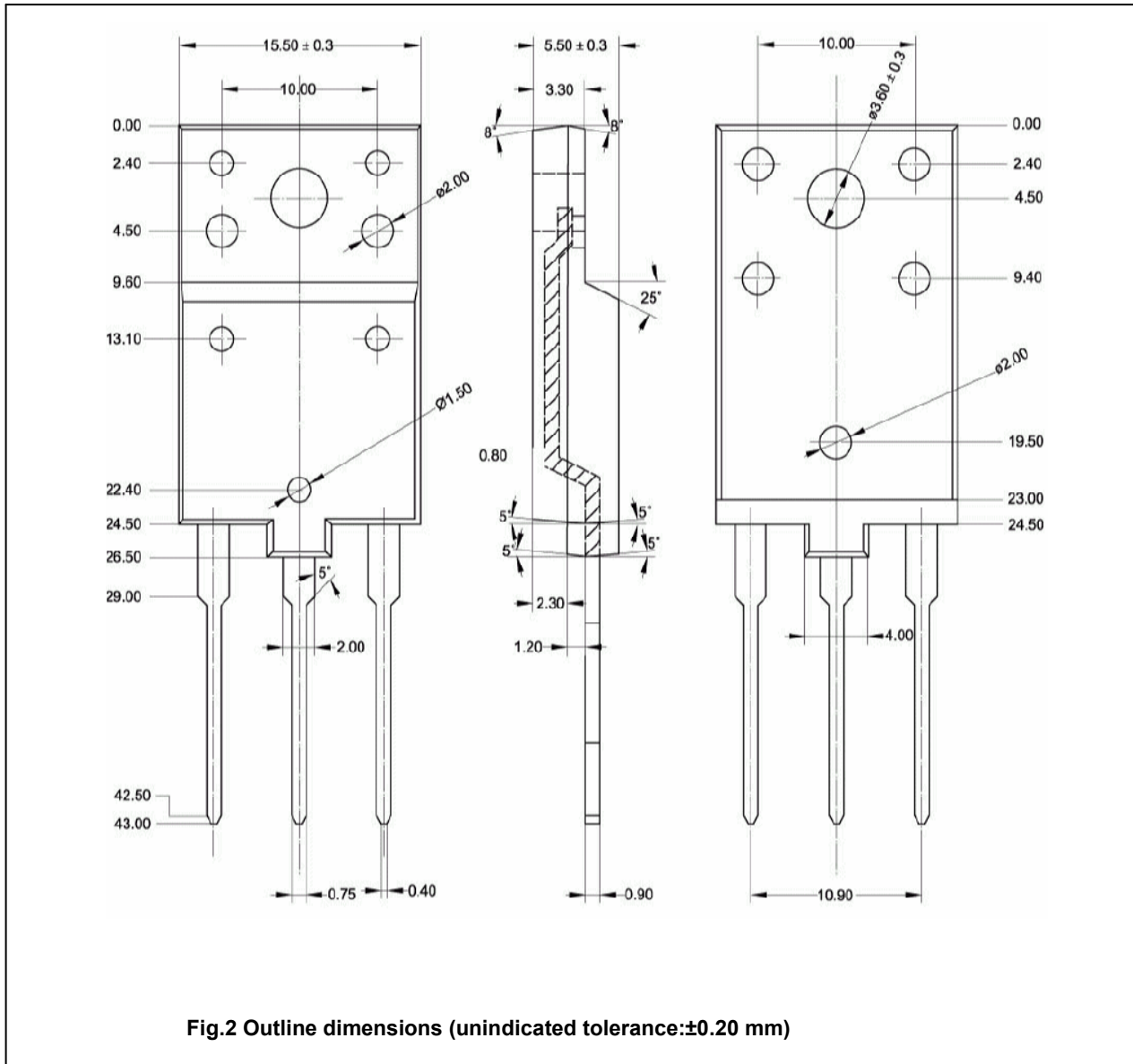
Switching times resistive load

| | | | | | | |
|----------------|--------------|---|--|-----|-----|----|
| t _s | Storage time | I _{CP} =4A ; I _{B1} =0.8A I _{B2} =-1.6A ; R _L =51Ω | | 1.6 | 2.5 | μs |
| t _f | Fall time | | | 0.1 | 0.2 | μs |

Silicon NPN Power Transistors

2SC4764

PACKAGE OUTLINE



Silicon NPN Power Transistors

2SC4764

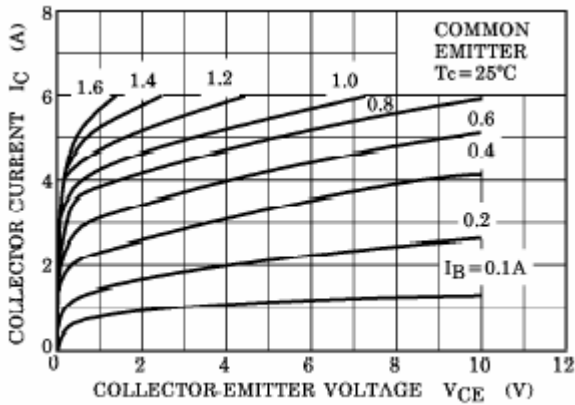


Fig.3 Static Characteristic

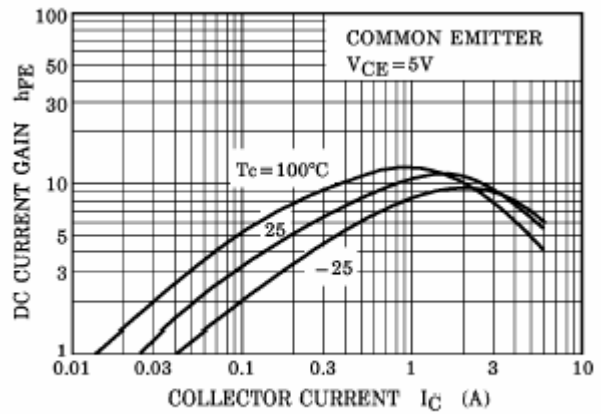


Fig.4 DC current Gain

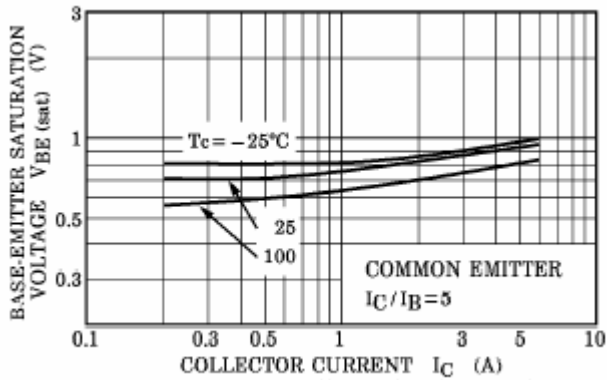


Fig.5 Base-Emitter Saturation Voltage

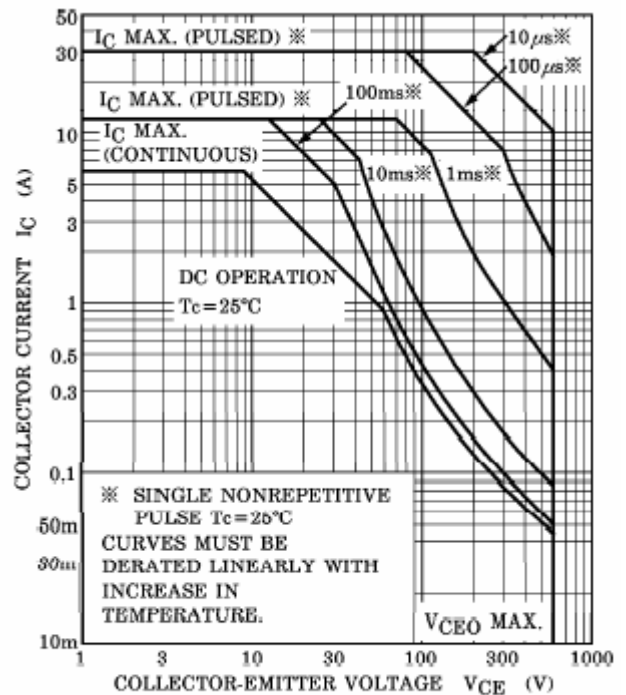


Fig.6 Safe Operating Area